

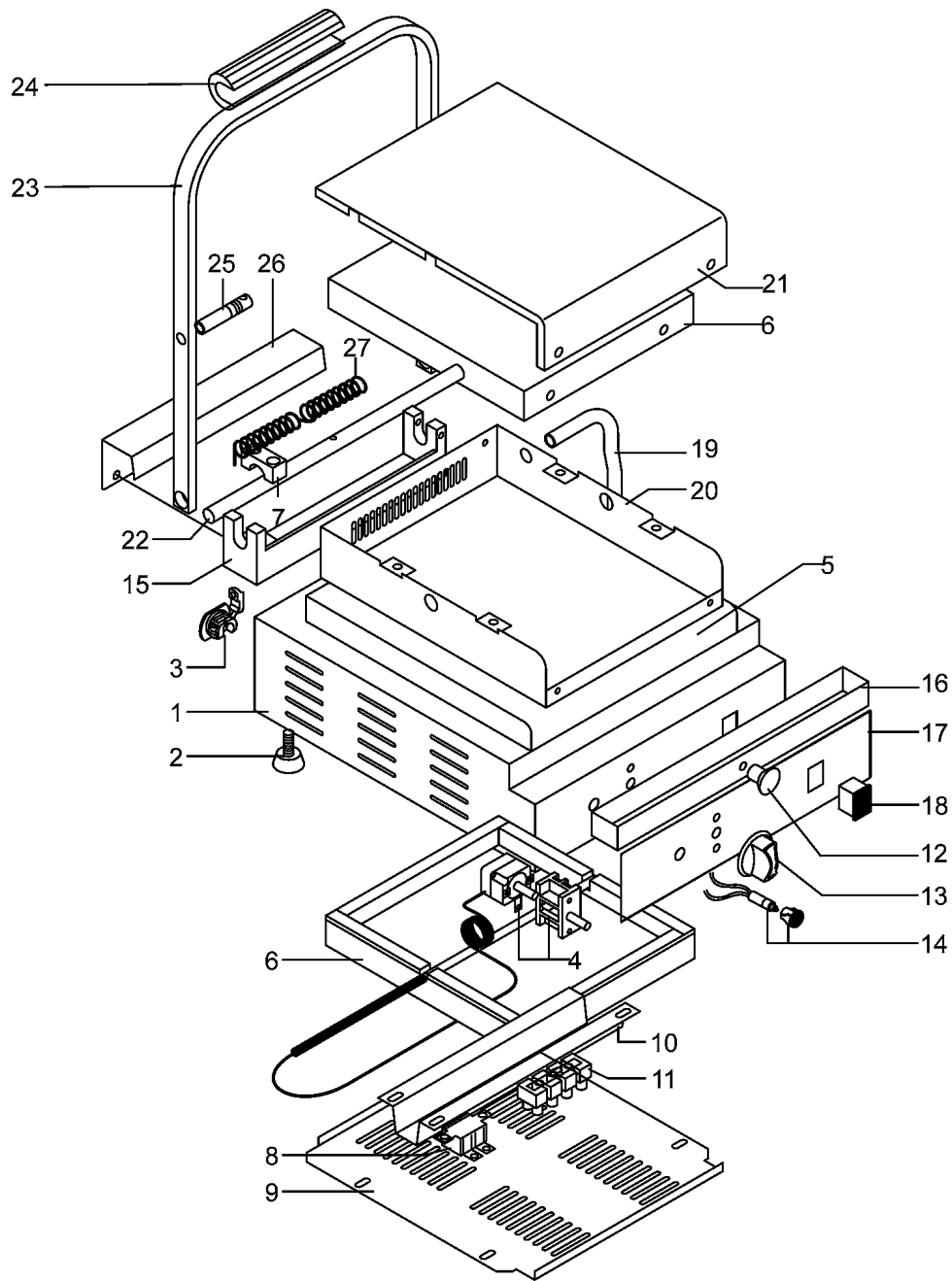


## SPARE PARTS TAVOLA RICAMBI

pv27-40rl-ll

SPEC.	N.	CODE	DENOMINAZIONE - DENOMINATION	PRICE
(PV40RL-LL)	1	CO5282	Housing - Carcassa	€ 139.60
	2	CO5284	Foot - Piedino	€ 2.50
	3	CO5285	Cable clamp - Pressacavo	€ 2.20
	4	CO5286	Thermostat - Termostato	€ 58.50
	5	CO5287	Stone - Piana	€ 182.00
	5	CO5288	Stone - Piana	€ 238.00
850W 230V (PV27RL-LL)	6	CO5290	Resistance - Resistenza	€ 75.00
1000W 230V (PV40RL-LL)	6	CO5291	Resistance - Resistenza	€ 100.00
	7	CO5293	Friction - Frizione	€ 24.00
	8	CO1942	Thermostat - Termostato	€ 22.50
	11	CO0270	Terminal box - Morsettiera	€ 14.50
	12	CO5294	Knob - Pomello	€ 2.50
	13	SL3550	Knob - Pomello	€ 2.50
	14	CO5295	Lamp - Lampada	€ 9.00
	15	CO5296	Support - Supporto	€ 35.00
(PV27RL-LL)	16	CO5322	Collecting tray - Cassetto raccoglitore	
(PV40RL-LL)	16	CO5323	Collecting tray - Cassetto raccoglitore	€ 30.00
(PV27RL-LL)	17	CO5122	Control panel - Pannello di controllo	
(PV40RL-LL)	17	CO5123	Control panel - Pannello di controllo	
	18	CO5107	Lamp - Lampada	€ 4.60
	19	CO5298	Pipe - Tubo	€ 13.30
(PV27LL) liscio	20	CO5660	Surface - Piano	€ 180.00
(PV27RL) rigato	20	CO5661	Surface - Piano	€ 295.00
(PV40LL) liscio	20	CO5662	Surface - Piano	€ 238.00
(PV40RL) rigato	20	CO5663	Surface - Piano	€ 348.00
(PV27RL-LL)	22	CO5315	Rod - Asta	€ 14.40
(PV40RL-LL)	22	CO5316	Rod - Asta	€ 23.40
(PV27RL-LL)	23	CO5300	Handle - Maniglia	
(PV40RL-LL)	23	CO5301	Handle - Maniglia	€ 36.60
	24	CO5304	Grip - Impugnatura	€ 9.10
	25	CO5318	Rod - Asta	€ 5.60
	27	CO5305	Spring - Molla	€ 18.20

\*Ricambio consigliato - Advised spare parts



POS. CODE

1	CO5282
2	CO5284
3	CO5285
4	CO5286
5	CO5287
5	CO5288
6	CO5290
6	CO5291
7	CO5293
8	CO1942
11	CO0270
12	CO5294
13	SL3550
14	CO5295
15	CO5296
16	CO5322
16	CO5323
17	CO5122
17	CO5123
18	CO5107
19	CO5298
20	CO5660
20	CO5661
20	CO5662
20	CO5663
22	CO5315
22	CO5316
23	CO5300
23	CO5301
24	CO5304
25	CO5318
27	CO5305