

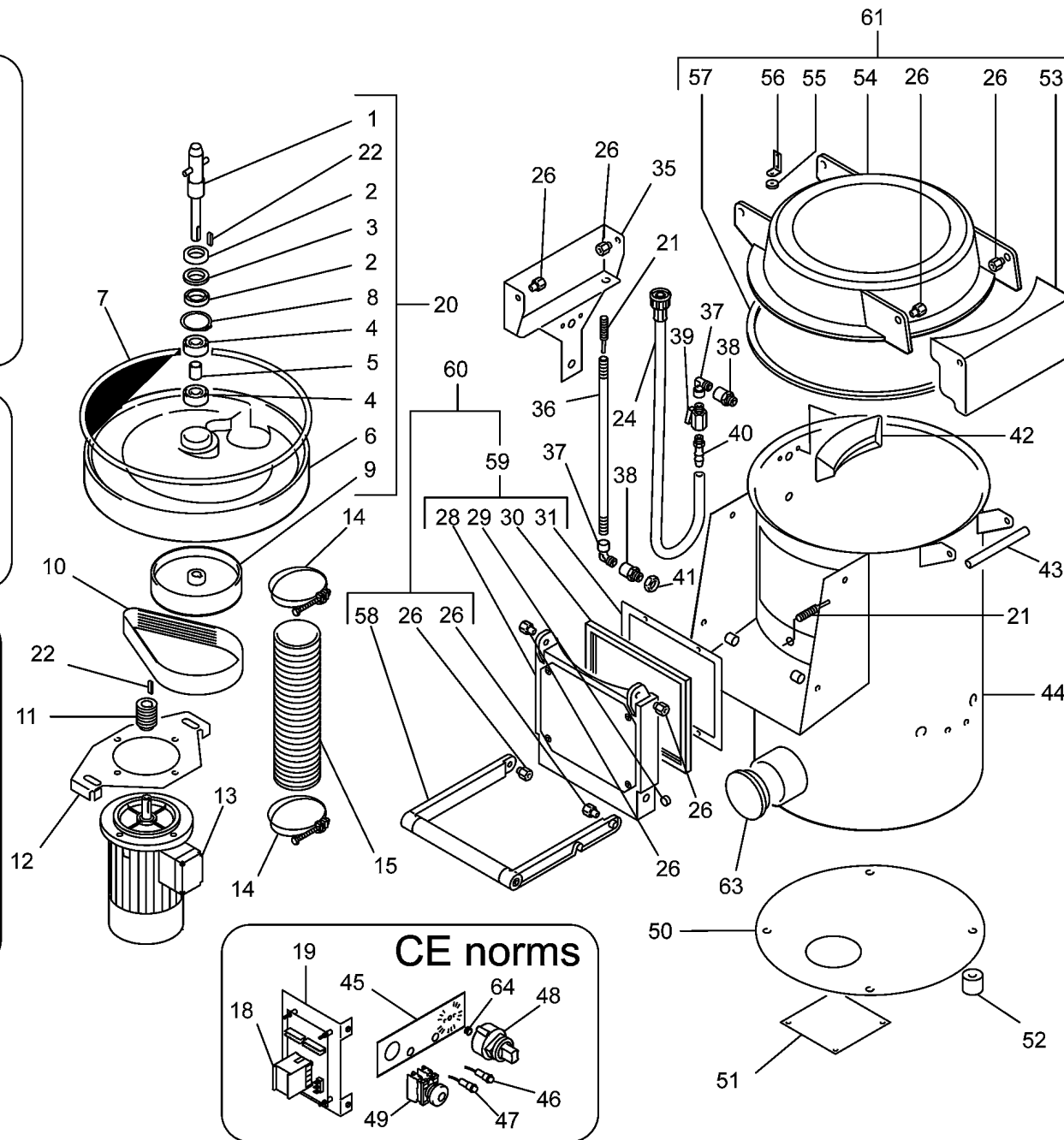
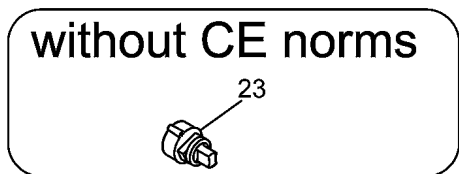
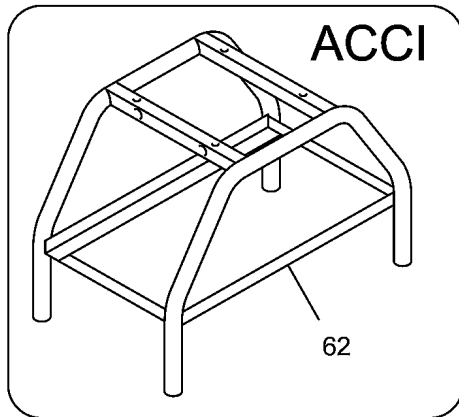
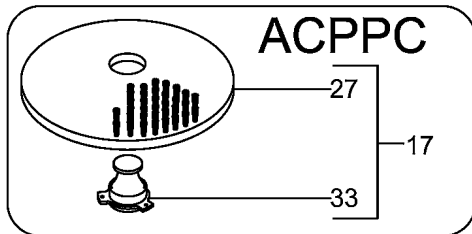
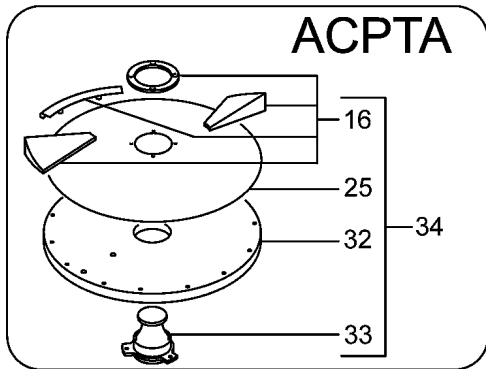


## SPARE PARTS TAVOLA RICAMBI

ppn-ppf-lcn-lcf5  
0

SPEC.	N.	CODE	DENOMINAZIONE - DENOMINATION	PRICE
	1	36G6590	Shaft - Albero	€ 20.00
ø28xø42x7	2	SL3943	Oil seal - Paraolio	€ 3.50
	3	3190830	Washer - Rosetta	€ 2.00
6302 2RS	4	36F0090	Bearing - Cuscinetto	€ 9.00
	5	36G5950	Bush - Boccia	€ 1.50
	6	3600870	Bottom - Fondo	€ 40.00
	7	3151750	Ring - Anello	€ 12.50
ø42	8	SL2056	Seeger - Seeger	€ 0.80
	9	36G6600	Pulley - Puleggia	€ 9.00
Poly V-559 j12	* 10	36G6610	Belt - Cinghia	€ 11.00
(LCN-LCF5)	11	36G0030	Pulley - Puleggia	€ 6.00
(PPN-PPF5)	11	36G6620	Pulley - Puleggia	€ 7.00
	12	35V1230	Bracket - Staffa	€ 13.50
230V/1Ph/50Hz (LCN-LCF5)	13	32M0650	Motor - Motore	€ 120.00
230V/1Ph/50Hz (PPN-PPF5)	13	SL1470	Motor - Motore	€ 92.00
400V/3Ph/50Hz (PPN-PPF5)	13	SL1471	Motor - Motore	€ 68.00
400V/3Ph/50Hz (LCN-LCF5)	13	SL1518	Motor - Motore	€ 110.00
ø88÷ø96	14	3140460	Clip - Fascetta	€ 3.50
ø90	15	35X1150	Pipe - Tubo	€ 9.50
28/01/08 f.p.(*)	16	SA3450	Disk set - Kit disco	
plastic (PTA)	16	SA3460	Disk set - Kit disco	€ 20.00
Assembly (LCN-LCF5)	17	ACPPC	Mussel disk - Disco cozze	€ 215.00
01/01/04 f.p.(*)	18	32Z4840	Remote control switch - Teleruttore	€ 23.20
	* 18	SL2921	Electronic card - Scheda elettronica	€ 37.00
	19	SL2785R0	Plate - Piastra	€ 14.00
Assembly	20	SA1064	Bottom - Fondo	€ 80.00
CE norms	* 21	32W3240	Microswitch - Microinterruttore	€ 10.00
5x5x20	22	SL0010	Key - Linguetta	
Assembly	* 23	SA1092	Timer - Timer	€ 26.00
"3/4" F"	24	33M0010	Pipe - Tubo	€ 4.50
28/01/08 f.p.(*)	* 25	SL2494	Emery cloth - Tela abrasiva	€ 23.00
	25	SL3544	Emery cloth - Tela abrasiva	€ 24.50
	26	36D9550	Bush - Boccia	€ 2.00
	27	36G6880	Mussel disk - Disco cozze	€ 72.00
Assembly	28	SA3400	Door - Sportello	€ 23.00
CE norms	* 29	3600160	Magnet - Magnete	€ 0.80
	* 30	37Q7860	Gasket - Guarnizione	€ 31.00
	31	36C0011	Frame - Telaio	€ 4.00
28/01/08 f.p.(*)	32	SL2135	Disk - Disco	
	32	SL3543	Disk - Disco	€ 26.00

\*Ricambio consigliato - Advised spare parts



POS.	CODE
1	36G6590
2	SL3943
3	3190830
4	36F0090
5	36G5950
6	3600870
7	3151750
8	SL2056
9	36G6600
10	36G6610
11	36G0030
11	36G6620
12	35V1230
13	32M0650
13	SL1470
13	SL1471
13	SL1518
14	3140460
15	35X1150
16	SA3450
16	SA3460
17	ACPPC
18	32Z4840
18	SL2921
19	SL2785R0
20	SA1064
21	32W3240
22	SL0010
23	SA1092
24	33M0010
25	SL2494
25	SL3544
26	36D9550
27	36G6880
28	SA3400
29	3600160
30	37Q7860
31	36C0011
32	SL2135
32	SL3543

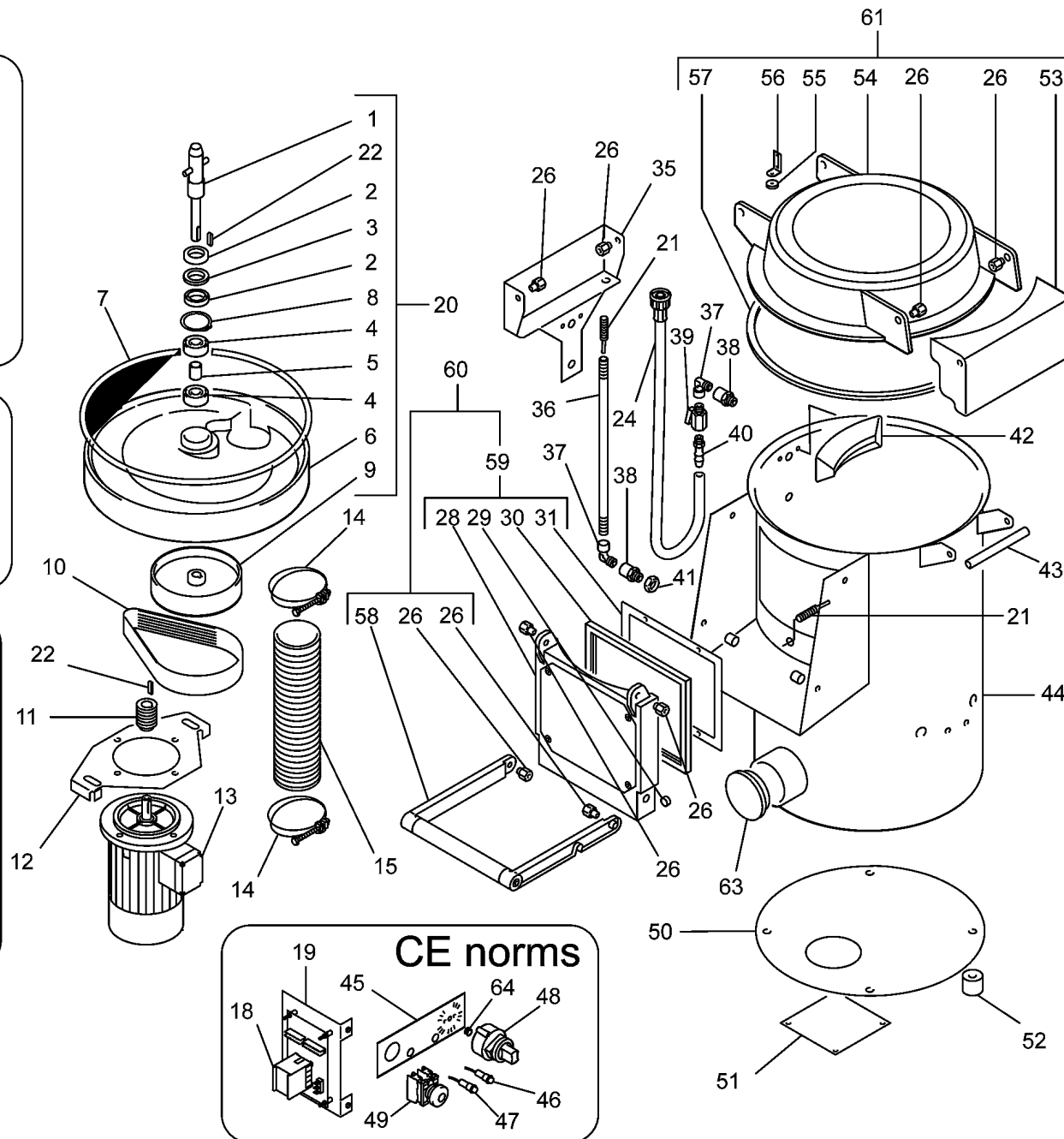
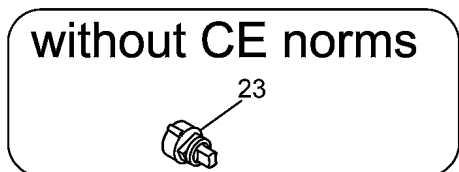
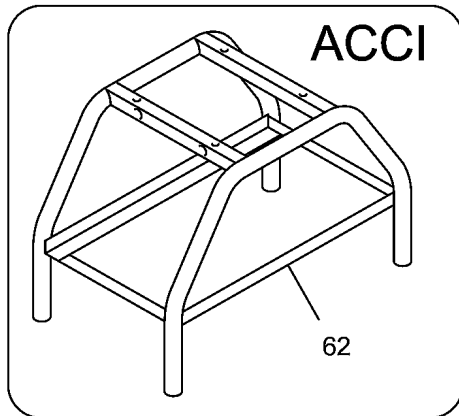
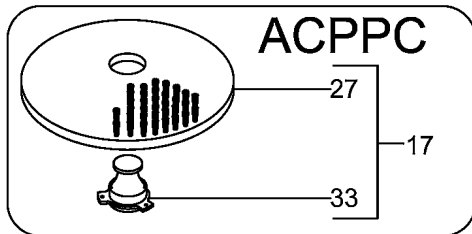
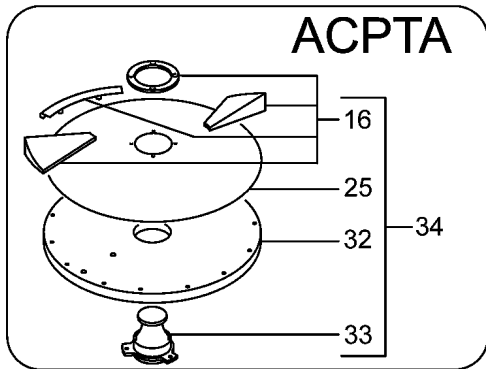


## SPARE PARTS TAVOLA RICAMBI

ppn-ppf-lcn-lcf5  
0

SPEC.	N.	CODE	DENOMINAZIONE - DENOMINATION	PRICE
	33	SL3267	Knob - Pomello	€ 20.00
Assembly (PPN-PPF5)	34	ACPTA	Potato disk - Disco patate	€ 195.00
	35	SL2904	Bracket - Staffa	
CE norms	36	35X2330	Pipe - Tubo	
"L 90° 1/4"" M-F"	37	33Q6040	Nipple - Raccordo	€ 3.50
"1/4"" M-F"	38	33Q6210	Nipple - Raccordo	€ 2.00
"1/4"" M-F"	39	SL1622	Cock - Rubinetto	€ 12.00
"1/4"" M ø12"	40	33Q5180	Cluch - Portagomma	€ 2.50
"1/4"" CH17"	41	3117580	Nut - Dado	
	42	36D6040	Leaper - Saltarello	€ 26.00
	43	36G2040	Pivot - Perno	€ 4.00
	44	SL2693R0	Housing - Carcassa	€ 205.00
01/01/09 f.p.(*)	45	SL3530	Label - Etichetta	
	45	SL3705	Label - Etichetta	
230V 2W green	* 46	32W2970	Lamp - Lampada	€ 3.80
230V 2W white	* 47	32W3280	Lamp - Lampada	€ 2.30
	48	SA1087	Timer - Timer	€ 17.00
Unstable	49	SA1088	Push button - Pulsante	€ 21.00
	50	35D7790	Bottom - Fondo	€ 25.00
(PPN-LCN5)	51	35M0850	Plate - Piastra	€ 3.50
(PPN-LCN5)	* 52	SL1610	Foot - Piedino	€ 3.75
	53	36M5090	Handle - Maniglia	€ 6.50
	54	36Z6501	Cover - Coperchio	€ 35.00
CE norms	* 55	3600310	Magnet - Magnete	€ 1.00
CE norms	56	35V6381	Bracket - Staffa	€ 0.25
	* 57	SL2871	Gasket - Guarnizione	€ 10.50
Assembly	58	SA1093	Handle - Maniglia	€ 14.00
Assembly	59	6000930	Door - Sportello	
Assembly	60	SA1072	Door - Sportello	€ 47.00
Assembly	61	6005380	Cover - Coperchio	€ 62.00
Assembly (PPF-LCF5)	62	ACCI	Frame - Telaio	€ 200.00
(PPF-LCF5)	63	SL2211	Cap - Tappo	€ 9.50
V-8-S	64	SL0772	V-ring - V-ring	€ 1.00

\*Ricambio consigliato - Advised spare parts



POS.	CODE
33	SL3267
34	ACPTA
35	SL2904
36	35X2330
37	33Q6040
38	33Q6210
39	SL1622
40	33Q5180
41	3117580
42	36D6040
43	36G2040
44	SL2693R0
45	SL3530
46	32W2970
47	32W3280
48	SA1087
49	SA1088
50	35D7790
51	35M0850
52	SL1610
53	36M5090
54	36Z6501
55	3600310
56	35V6381
57	SL2871
58	SA1093
59	6000930
60	SA1072
61	6005380
62	ACCI
63	SL2211
64	SL0772